



**E21014XXXX**

Design by Manuel Vivian

Collection consisting of suspended lamps in aluminium, also in a recessed version. Available in several colours.

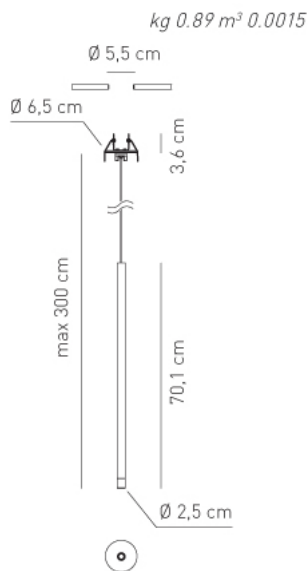
Typology: SUSPENSION LAMP

**Ratings**

- Built in **LED** module
- CCT 3000 K
- Downlight
- Ceiling cut-out installation
- Supply constant current 700mA
- Switch mode: on-off
- Extruded aluminium stick, painted
- Lens+diffuser

Product code composition

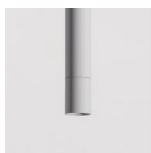
VIRTUS RECESSED - COMPATIBLE WITH PIVOT SYSTEM / DRIVER NOT INCLUDED



Zone	Type	Article	System compatibility	Finish	CCT	Type	Led source
E	2	101	4 recessed	07 matt white RAL 9016 wrinkled	1 2700K	X	LED 6,5W
				10 anthracite grey wrinkled / final black polished nickel	2 3000K*		
				11 anthracite grey wrinkled / final polished gold	3 3500K		
				12 rust brown wrinkled / final black polished nickel			
				13 rust brown wrinkled / final polished gold			

**LED** 700mA - 9,4Vdc ~671 lm\* ~103 lm/W\*  
 example composition code E 2 101 4 11 1 X

Available colors



07  
wrinkled white  
RAL 9016



10  
anthracite grey  
wrinkled - final  
black polished nickel



11  
anthracite grey  
wrinkled - final  
polished gold



12  
rust brown wrinkled  
final black  
polished nickel



13  
rust brown wrinkled  
final polished  
gold

E21014 \_ \_ \_ X

CUSTOMER \_\_\_\_\_

NOTES \_\_\_\_\_

\_\_\_\_\_

\_\_\_\_\_

NOTICE: Luminous flux (lm) and efficacy (lm/W) for all LED luminaires is based on nominal ratings of the LED sources. Technical data could be subject to alteration without notice. Axo Light does not provide legal guarantee for the accuracy of this data sheet.